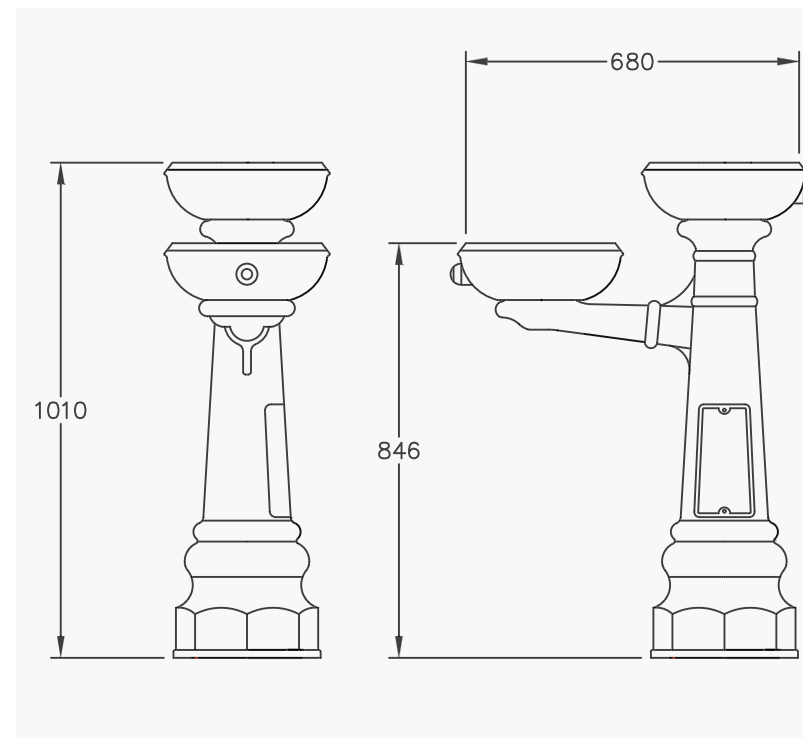


# Drinking Fountain: TW002

The TW002 is a twin bowl upright decorative heritage style fountain to suit many park or urban settings. It is suitable for disabled access.

- Dimensions**
- Total Height: 1010mm
  - Disabled bowl height: 846mm
  - Aluminium casting
- Finishes**
- Primed and two part acrylic polyurethane wet spray finish.
  - Available in many different colours. Please see colour selector.
  - All fountains come with vandal resistant 316 stainless steel security screws.
- Plumbing**
- In built water pressure regulator ½" inlet
  - 40mm waste outlet pipe
- Options**
- Optional tap available
  - Can be modified for single bowl disabled access only
  - Full parts and technical back up service available
  - Service kits available for purchase



[Click to view the latest TW002 projects online](#)



Get the latest specification news on



[www.urbanff.com.au](http://www.urbanff.com.au)

07 3382 7372

info@urbanff.com.au

*Urban*  
fountains + furniture